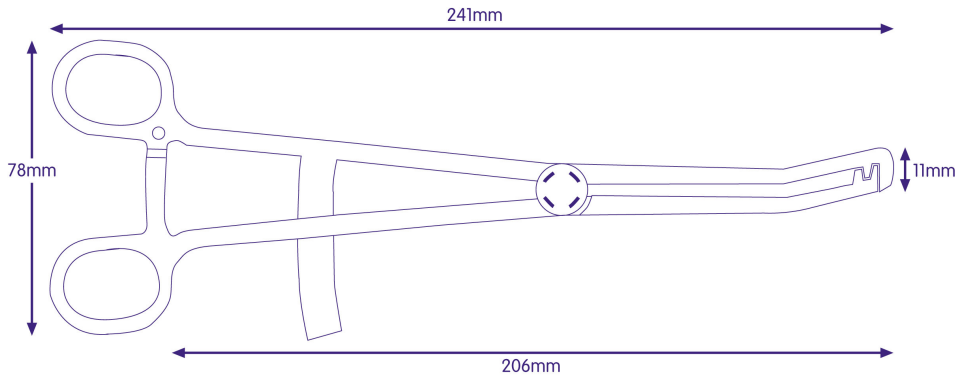


# Pelican Coil Remover Technical Data Sheet



Measurements per pack of 50: Weight 1.92kg. Dimensions: 18.4cm Width, 38cm Height, 25cm Depth.

## Materials:

Glass Filled Nylon

## Peel Pouch:

A clean peelable pouch system, comprising one web of medical grade paper combined with a second web of polyethylene laminated sealing face.

Suitable for sterilisation by Ethylene Oxide (ETO).

Seal strength: Minimum seal strength of 2N/15mm.

## Safety Data:

There are no components presenting significant hazards or requiring specific personal protection or first aid measures.

All clinical waste should be disposed of in accordance with Local Health Authority and Department of Health guidelines.

Active Life Storage:- 5 years after manufacture. There is no specific safety recommendation for handling. Storage should be in the original packaging in a cool dry place.

The product should only be used by trained medical staff for examination in a clean environment.

**A UK manufacturer - committed to quality, service, trust, innovation and value**

### Pelican Feminine Healthcare Ltd

Cardiff Business Park, Cardiff. CF14 5WF  
 Freephone: 0800 013 1220 Fax: 029 2074 7757  
 contactus@pelicanfh.co.uk  
 www.pelicanfh.co.uk

**A British Company - Thank you for your support**



05.01.12